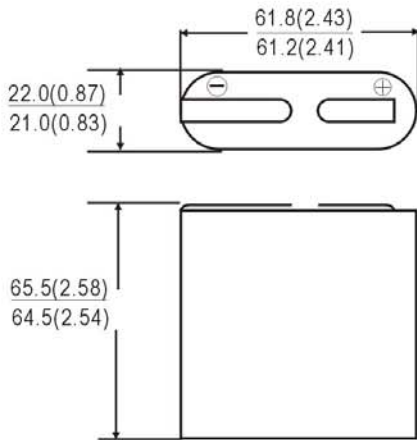


PLUS ALKALINE BATTERY

3LR12



Chemical System : Alkaline
Zinc-Manganese Dioxide (Zn/MnO₂)

Camelion Model : 3LR12

IEC No. : 3LR12

ANSI/NEDA No. : 3LR12

Average Weight : 83.0g

Dimension (L x W x H) : 61.5^{±0.3} x 21.5^{±0.5} x 65.0^{±0.5} mm
2.42^{±0.01} x 0.85^{±0.02} x 2.56^{±0.02} inch

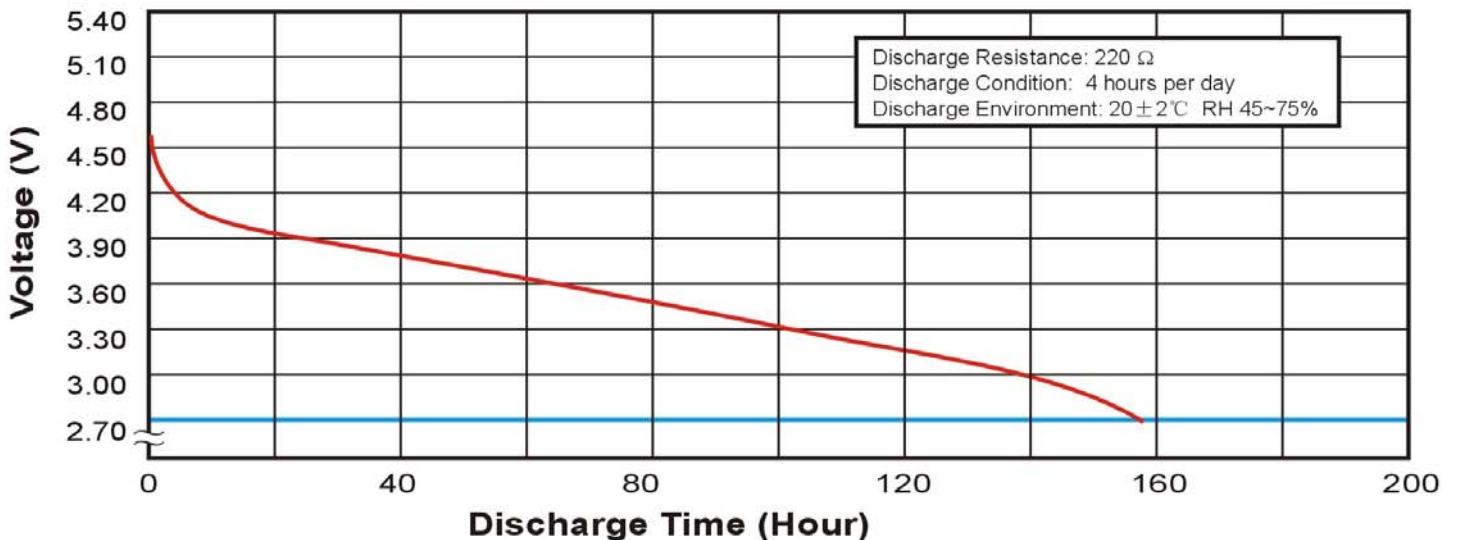
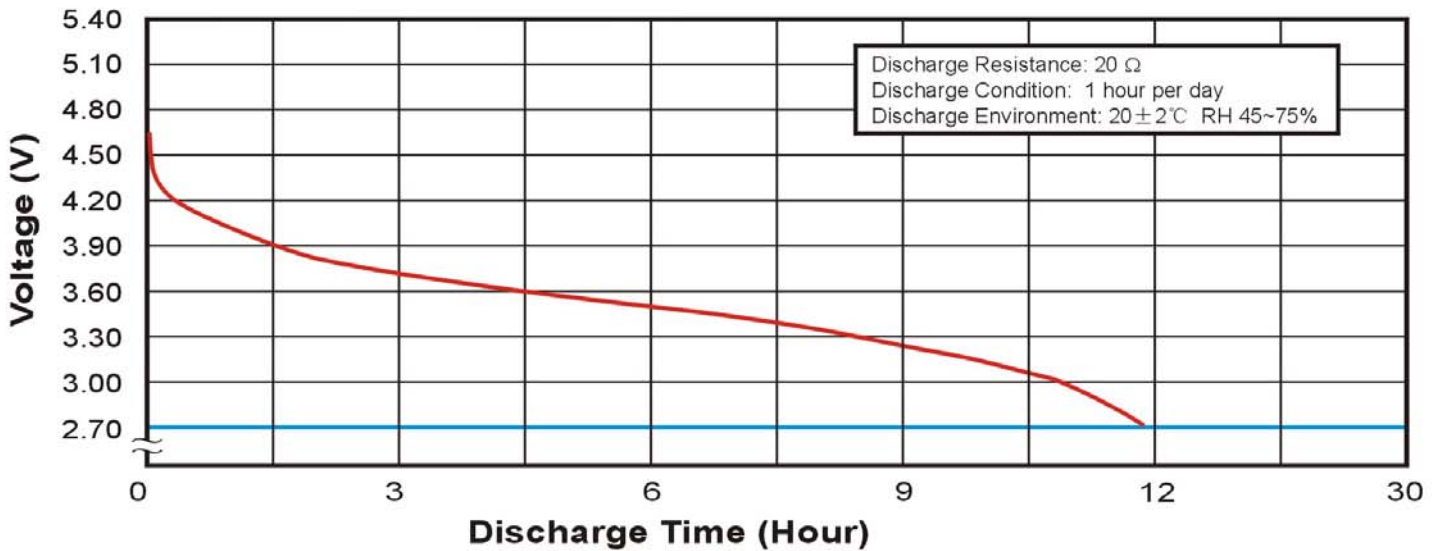
Terminals : Flat

Nominal Voltage : 4.5Volts

Average Capacity : about 3000mAh to 2.7 volts
(20 ± 2°C, Rated capacity at 25 mA continuous drain)

Jacket : Paper Label

Unit: mm(inch)



Notice:

Environmental elements comply with RoHS requirements. This information is subject to change without prior notice and for reference only. It should not be used as a basis for a product guarantee or warranty. For additional information, please consult your nearest Camelion Sales Office or Distributor or visit our website at: www.camelionbattery.com.